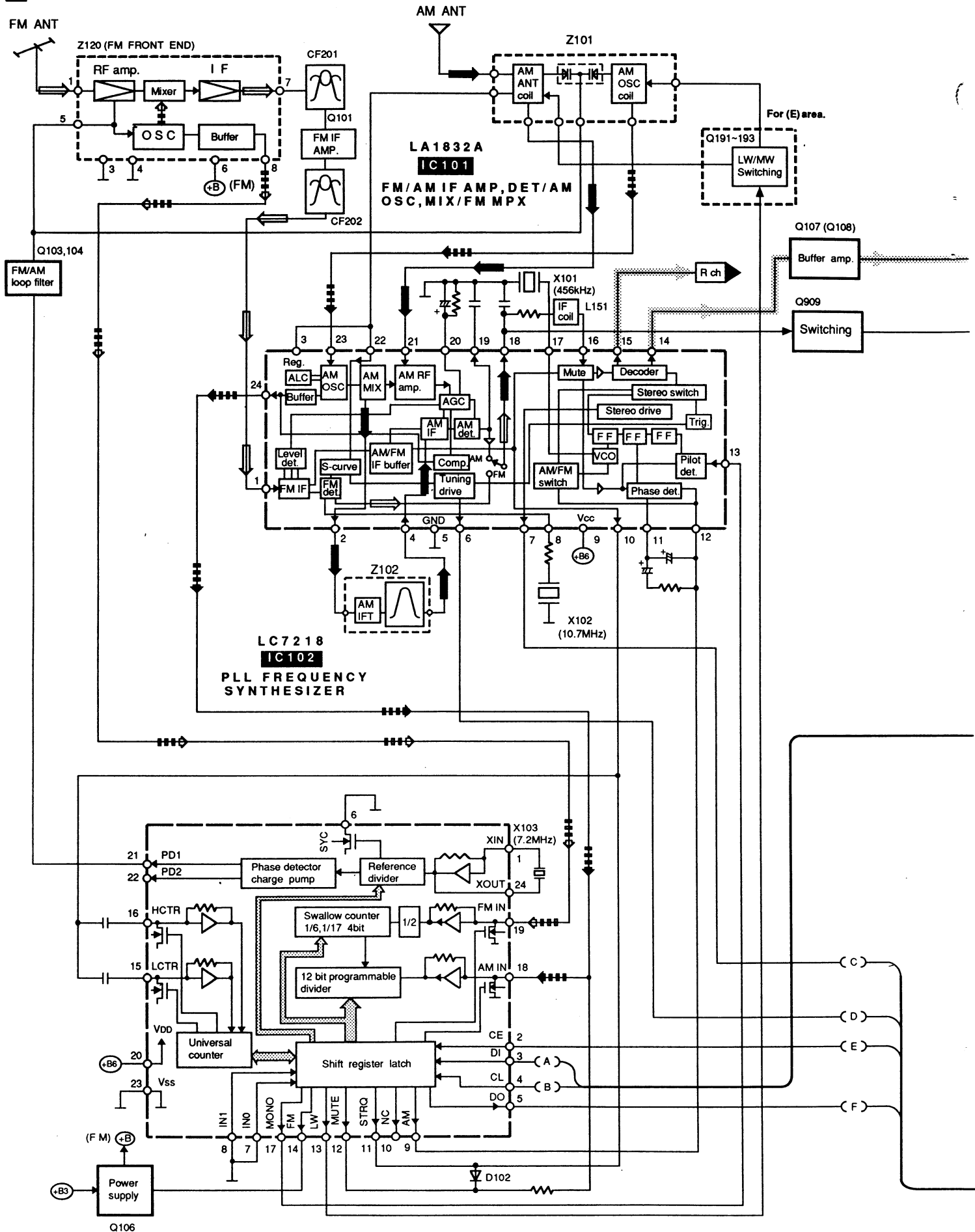
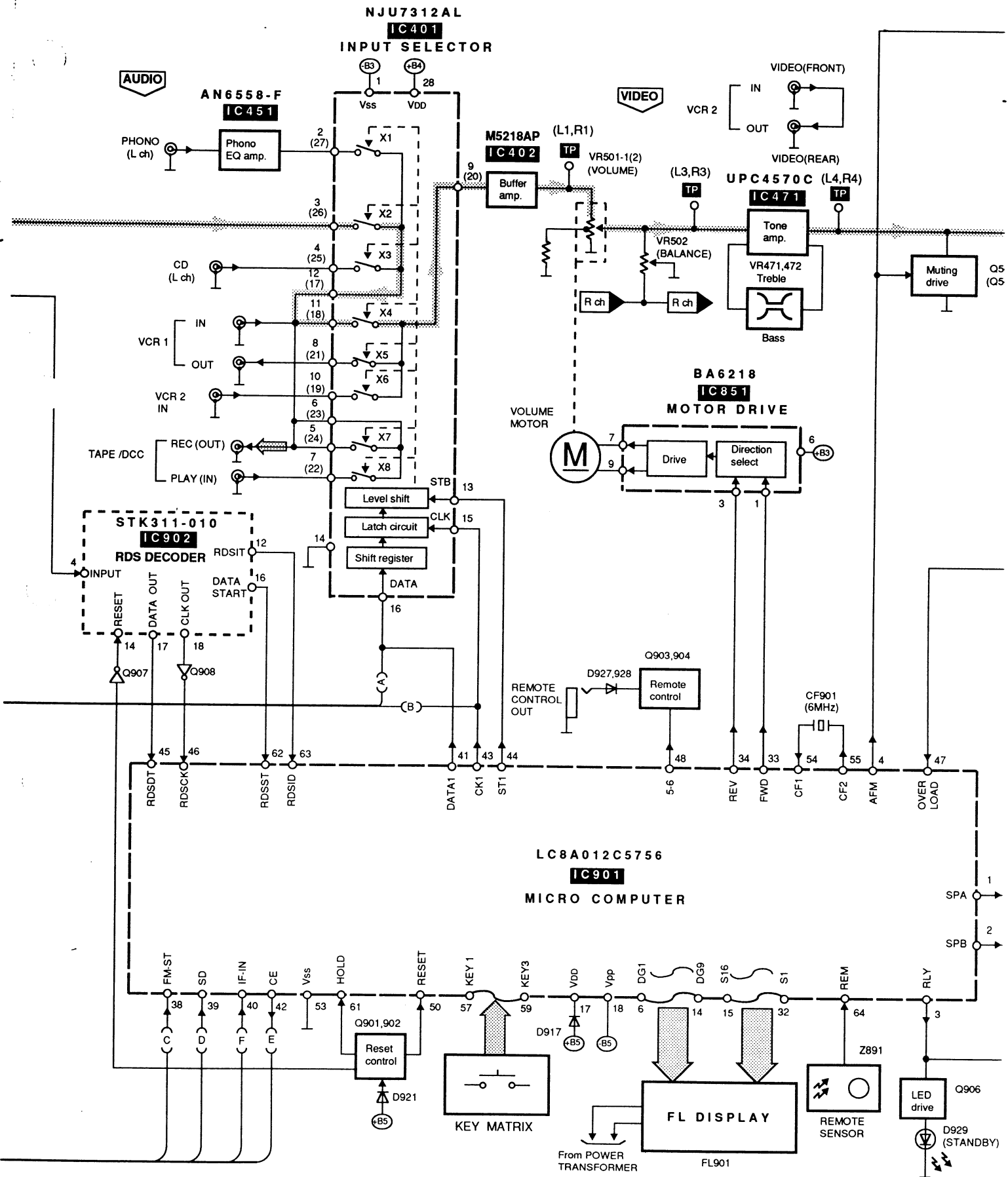
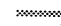
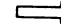






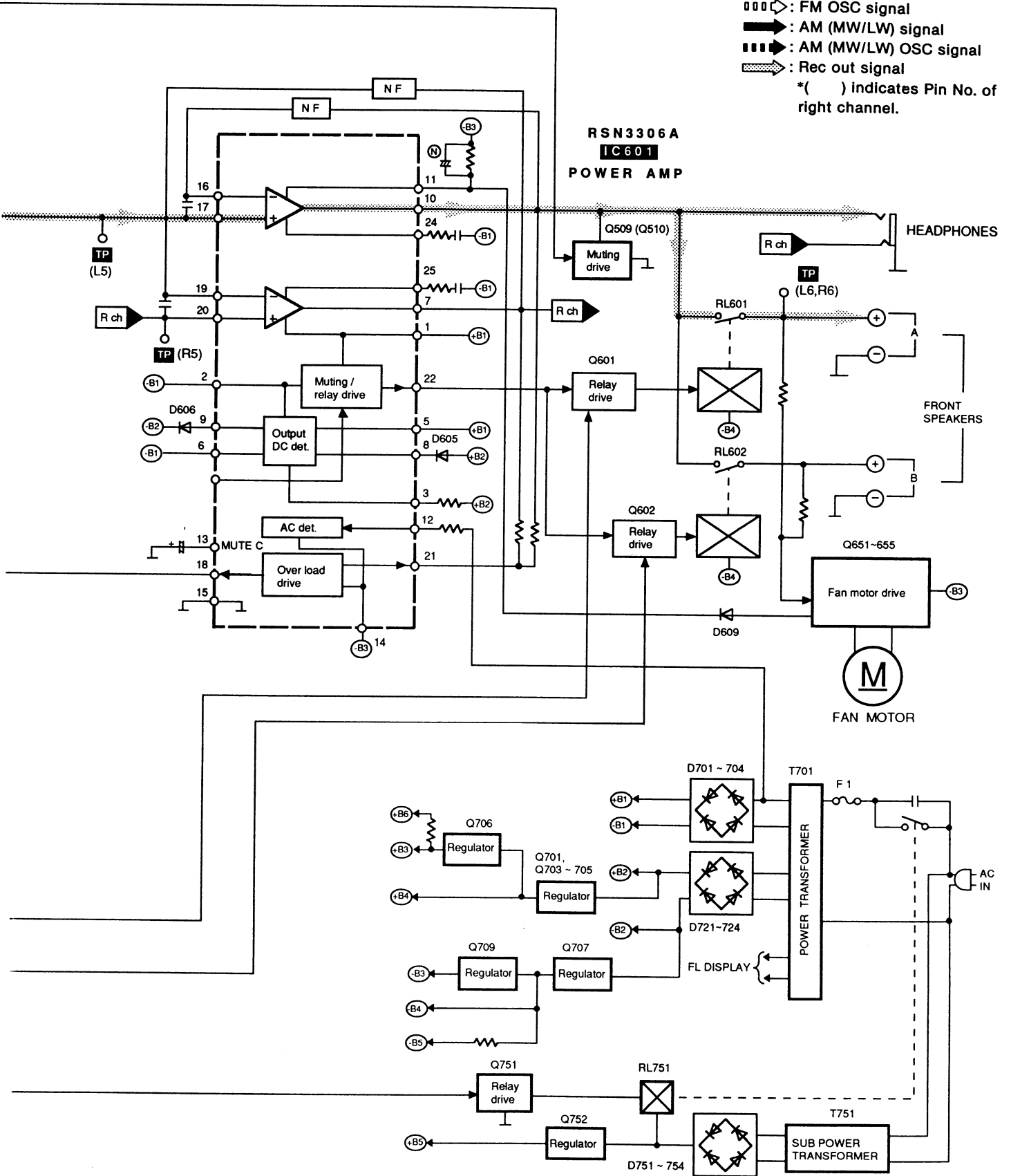
BLOCK DIAGRAM





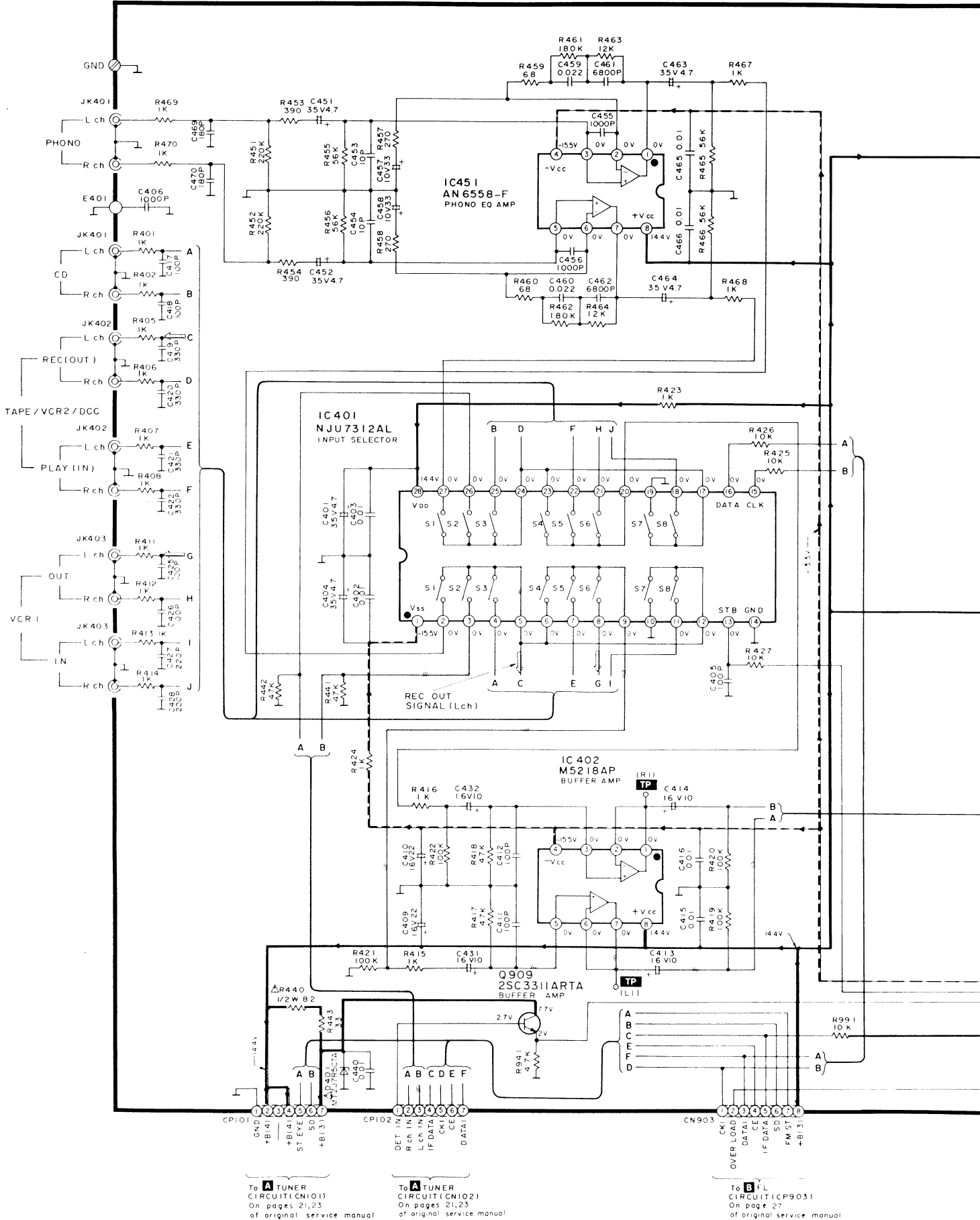
Notes:

-  : AF signal
 -  : FM signal
 -  : FM OSC signal
 -  : AM (MW/LW) signal
 -  : AM (MW/LW) OSC signal
 -  : Rec out signal
- *() indicates Pin No. of right channel.



SCHEMATIC DIAGRAM (SA-GX280 Service Manual of pages 24~29.)

E MAIN CIRCUIT (P.C.Board: on pages 8,9)

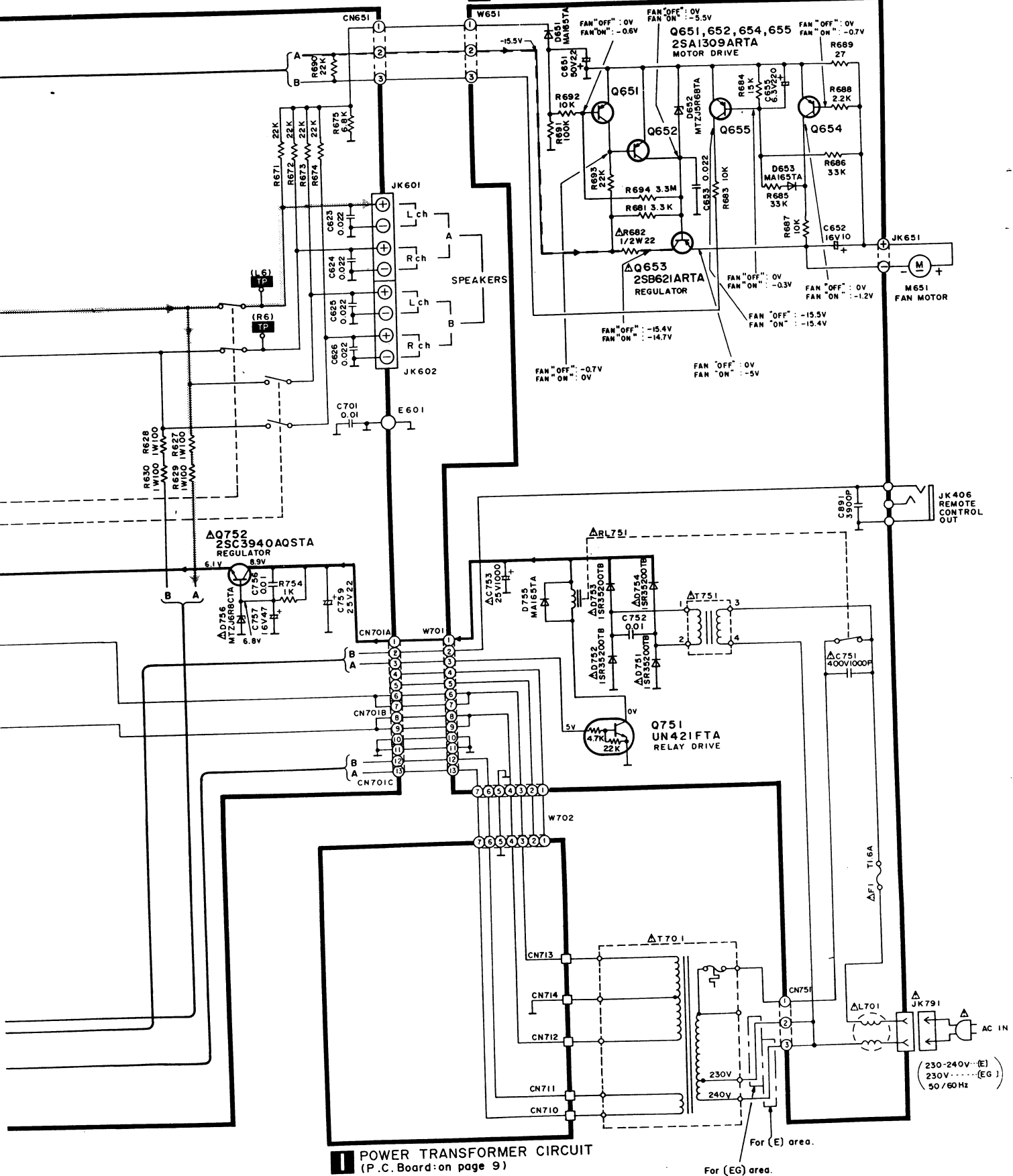


To **A** TUNER
CIRCUIT (CN101)
On pages 21,23
of original service manual

To **A** TUNER
CIRCUIT (CN102)
On pages 21,23
of original service manual

To **B** FL
CIRCUIT (CP903)
On page 27
of original service manual

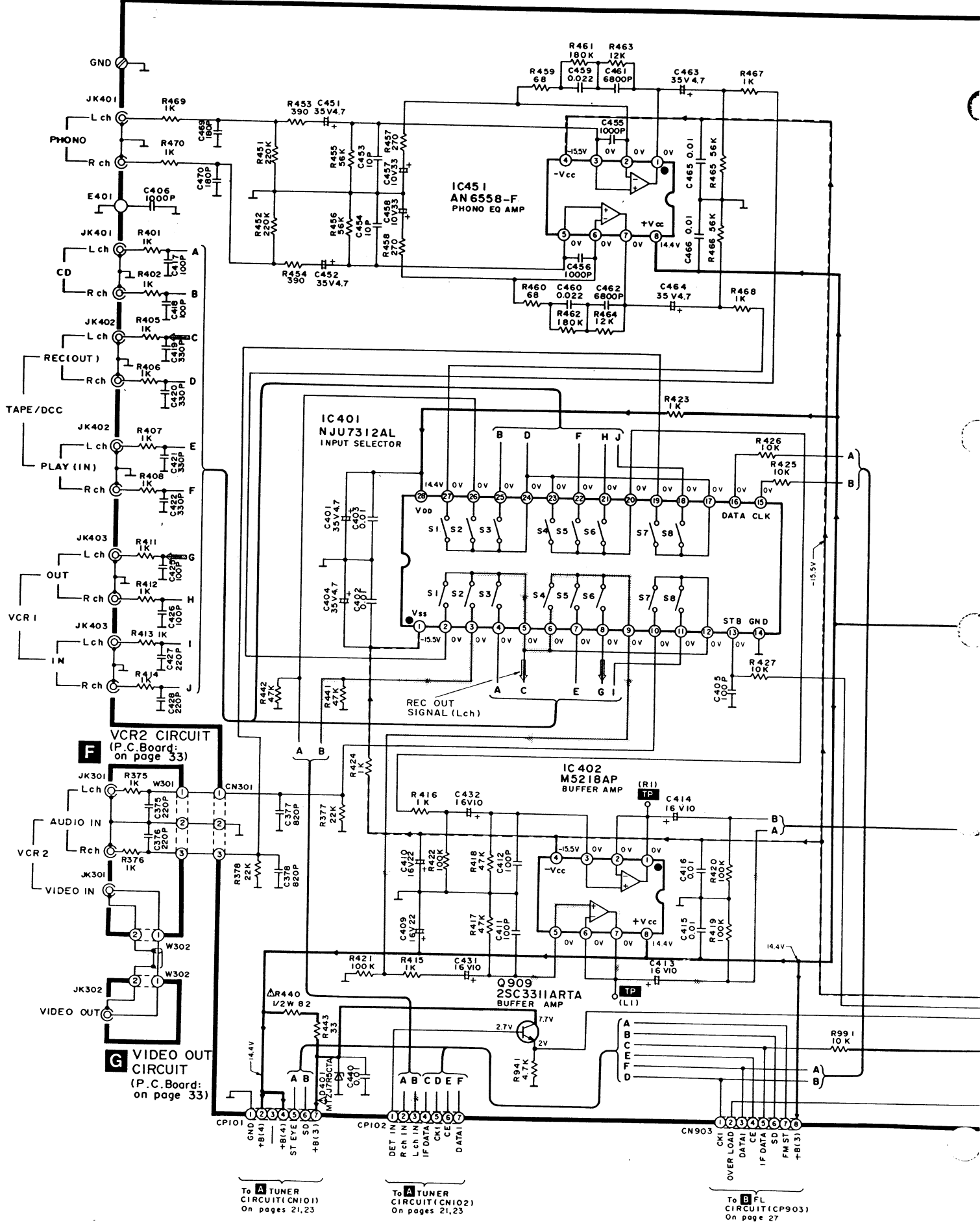
H POWER SUPPLY CIRCUIT (P.C. Board: on page 9)



I POWER TRANSFORMER CIRCUIT (P.C. Board: on page 9)

For (E) area.
For (EG) area.

E MAIN CIRCUIT (P.C. Board: on pages 32,33)



To **A** TUNER CIRCUIT (CN101) On pages 21,23

To **A** TUNER CIRCUIT (CN102) On pages 21,23

To **B** FL CIRCUIT (CP903) On page 27

Δ IC601
RSN 3306A
POWER AMP

MUTING/
RELAY
DRIVE

OVER
LOAD
DRIVE

OUTPUT DC DET.

Q601,602
2SA1309ARTA
RELAY DRIVE

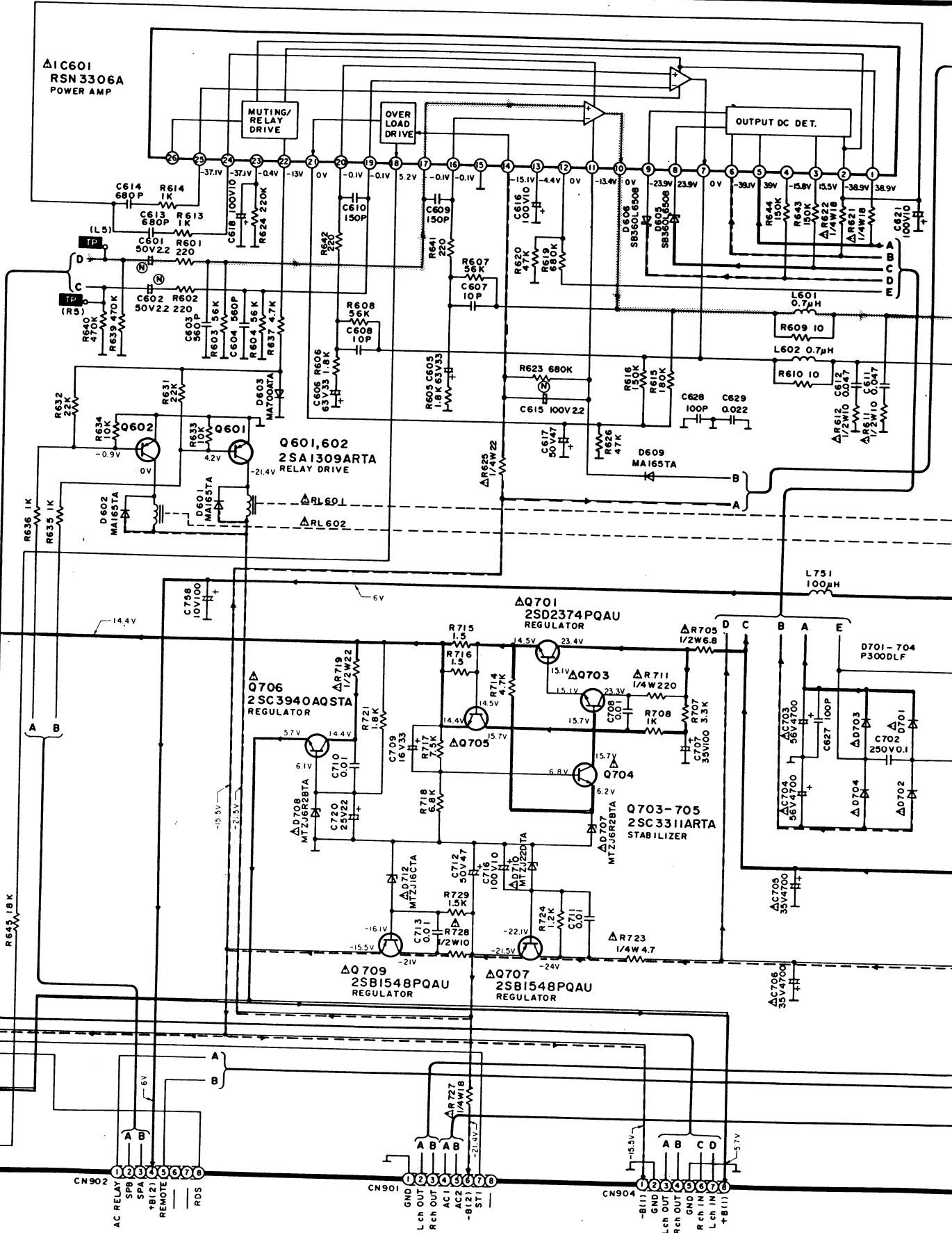
Δ Q701
2SD2374PQAU
REGULATOR

Q706
2SC3940AQSTA
REGULATOR

Q703-705
2SC3311ARTA
STABILIZER

Δ Q709
2SB1548PQAU
REGULATOR

Δ Q707
2SB1548PQAU
REGULATOR



CN902
AC RELAY
SPB
SPA
*B1(2)
REMOTE
RDS

CN901
GND
HP Lch OUT
HP Rch OUT
AC1
AC2
*B1(2)
*B2(1)
*ST1

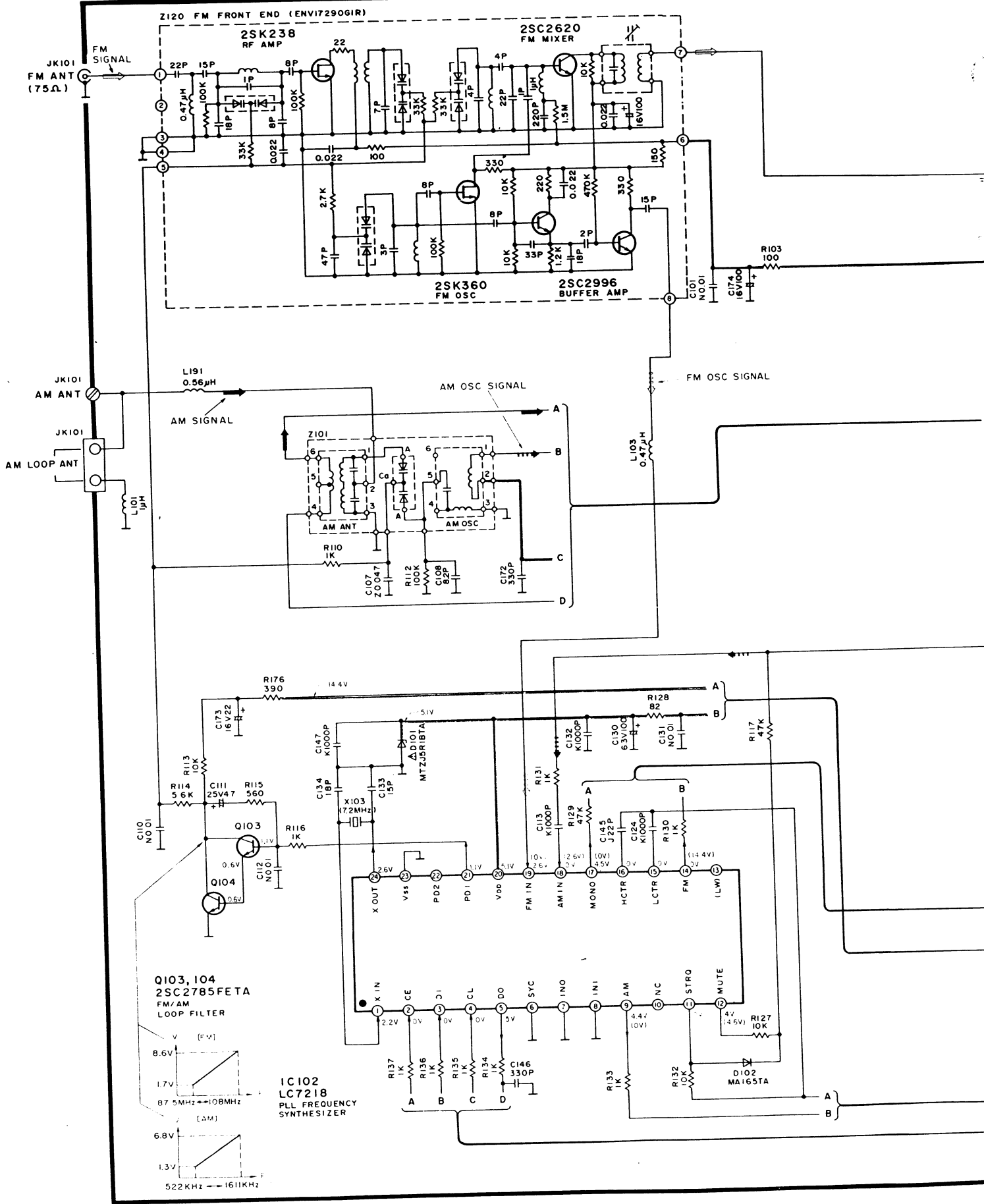
CN904
*B1(1)
GND
Lch OUT
Rch OUT
GND
Rch IN
Lch IN
*B1(1)

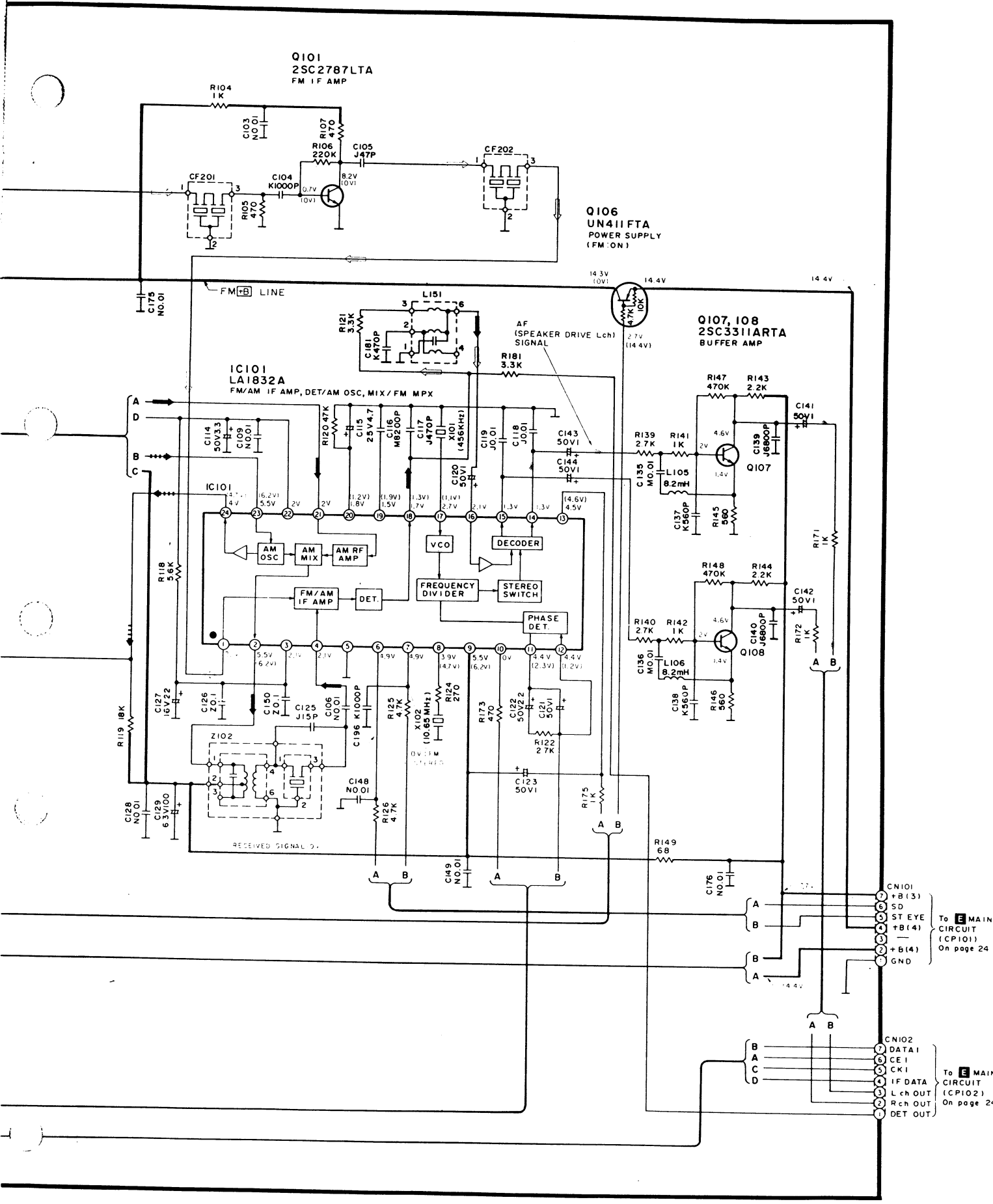
To **B** FL
CIRCUIT(CP902)
On page 27

To **B** FL
CIRCUIT(CP901)
On page 28

To **B** FL
CIRCUIT(CP904)
On page 28

A TUNER CIRCUIT For [EG] area . (P.C. Board: on page 30)





Q101
2SC2787LTA
FM IF AMP

Q106
UN411FTA
POWER SUPPLY
(FM ON)

Q107, 108
2SC3311ARTA
BUFFER AMP

IC101
LA1832A
FM/AM IF AMP, DET/AM OSC, MIX / FM MPX

AF (SPEAKER DRIVE Lch)
SIGNAL

RECEIVED SIGNAL

To MAIN
CIRCUIT
(CP101)
On page 24

To MAIN
CIRCUIT
(CP102)
On page 24

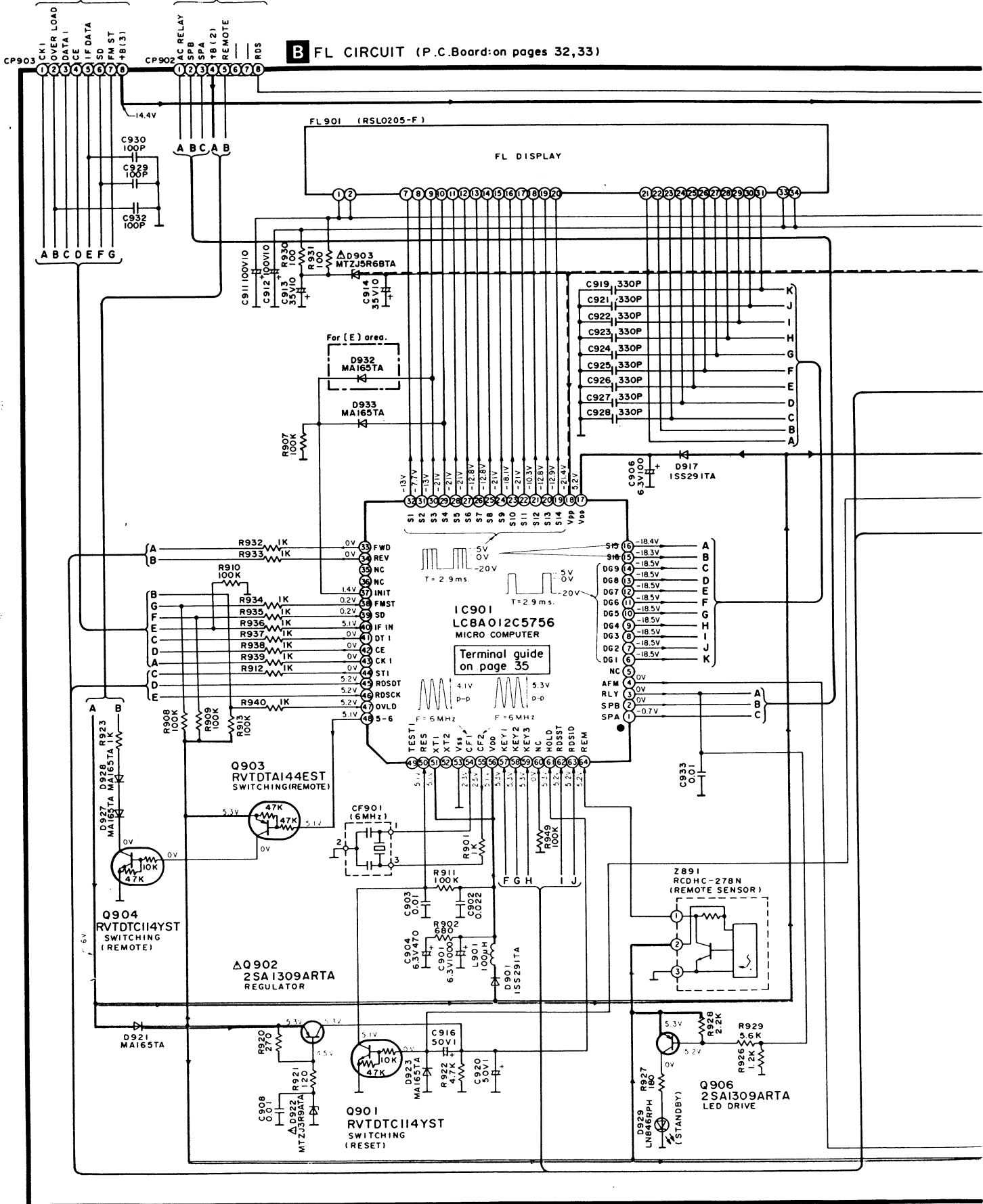
On page 24

To E MAIN CIRCUIT (CN903)

On page 25

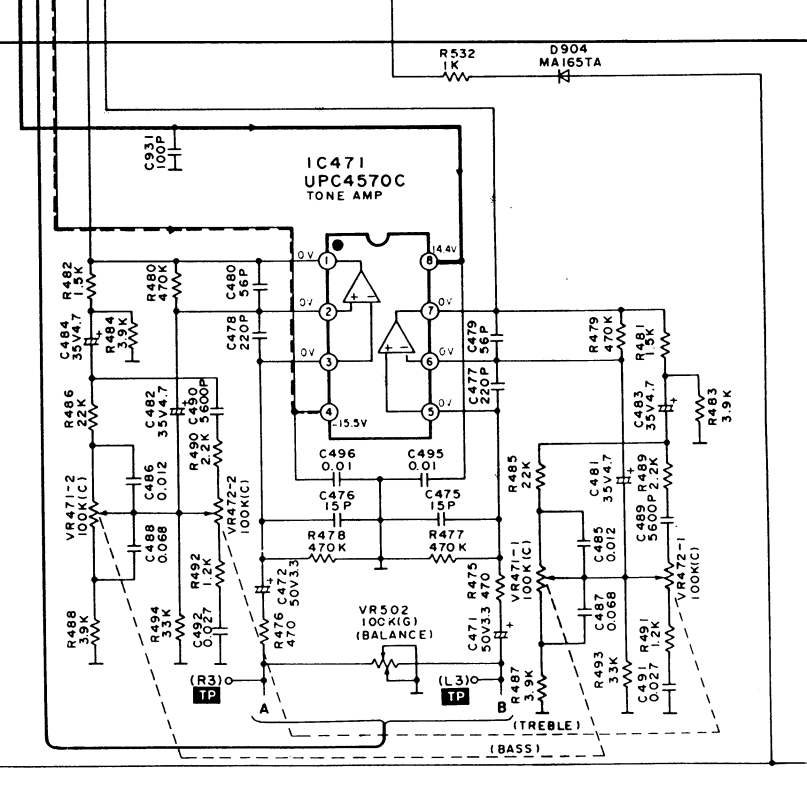
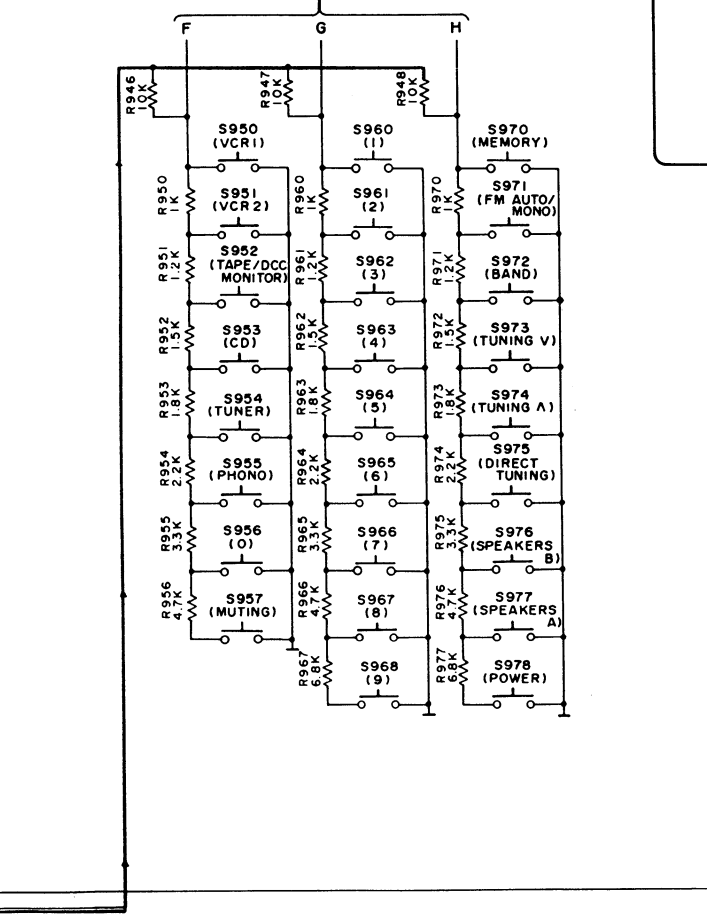
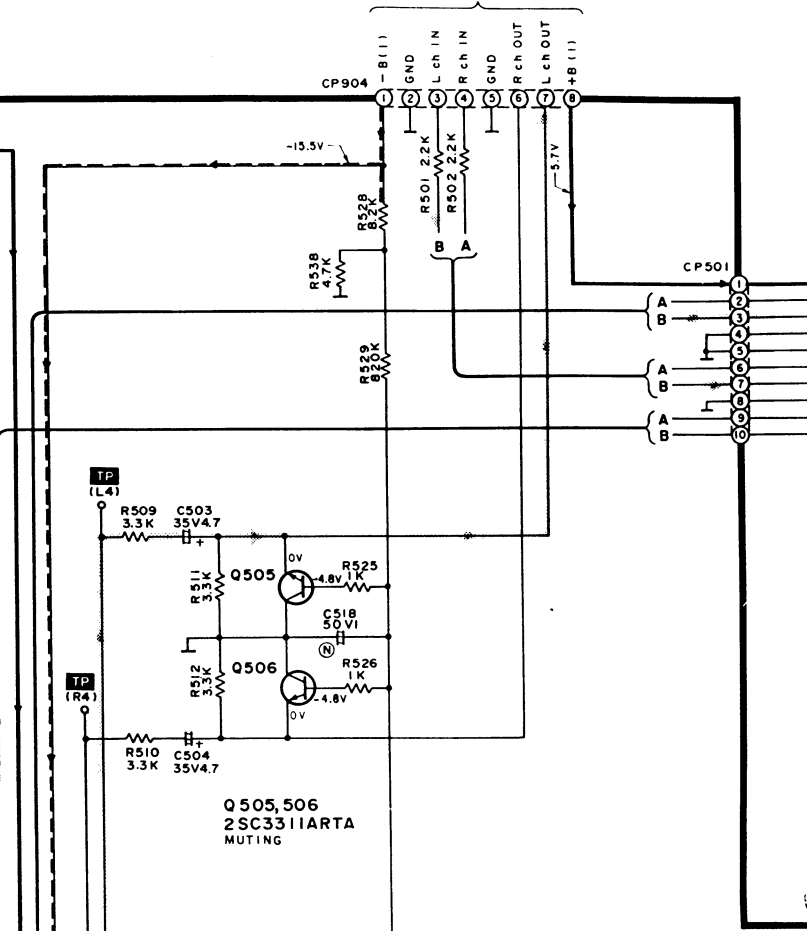
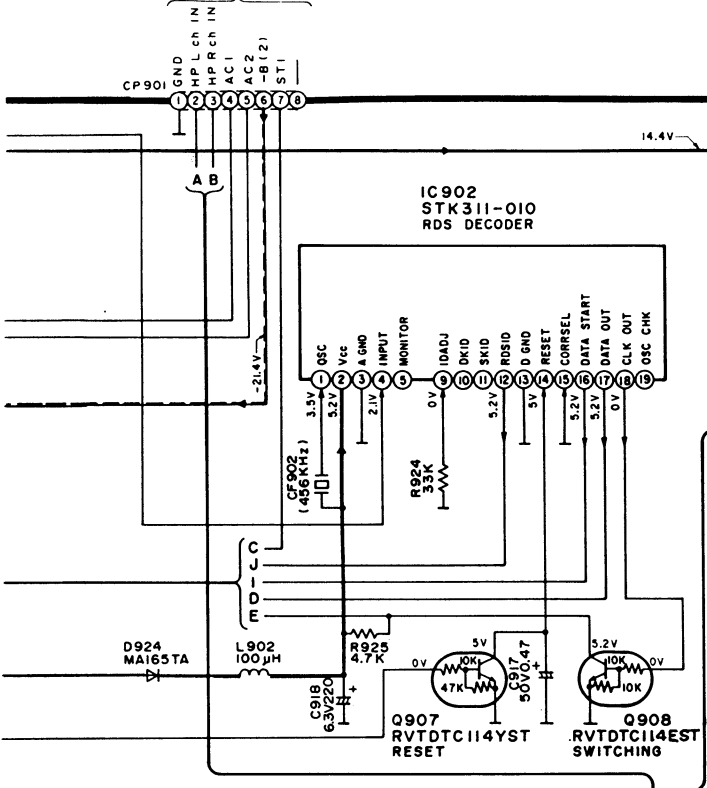
To E MAIN CIRCUIT (CN902)

B FL CIRCUIT (P.C. Board: on pages 32,33)

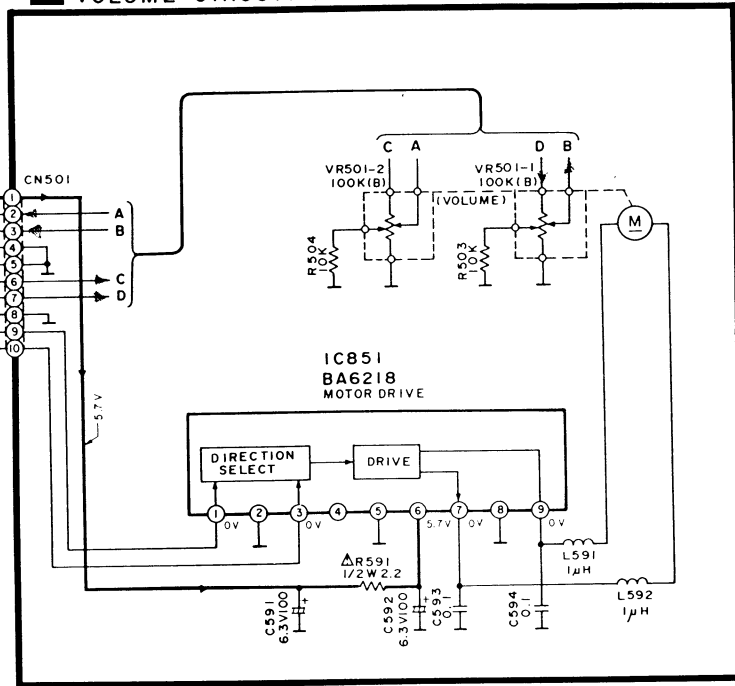


On page 25
To MAIN CIRCUIT
(CN901)

On page 25
To MAIN CIRCUIT
(CN904)



C VOLUME CIRCUIT (P.C.Board: on page 30)



D HEADPHONES JACK CIRCUIT (P.C.Board: on page 30)

